

SIP-T38G

- Dual port Gigabit Ethernet, Power over Ethernet
- 4" x 3" TFT-LCD, 16.7M colours, Intuitive user interface
- TI Aries chipset and TI voice engine
- HD Voice: HD Codec, HD speaker, HD handset
- 6 VoIP accounts, BLF/BLA, IPV6, Open VPN
- Supports Wireless Headsets (DHSg)



Gigabit Colour IP Phone

The SIP-T38G is the fully future-proofed Yealink IP phone for businesses that think ahead - fully equipped for seamless migration to GigE based network infrastructure. The large high resolution colour LCD facilitates superb clear and intuitive navigation, helping to make the SIP-T38G ideal for environments that require maximum productivity and efficiency.

It is easy to install and use and is ideal for all market sectors. With the TI Aries chipset and HD codec (G.722) it provides unrivalled HD (High Definition) voice quality in the HD handset and HD speaker. Other features include 6 VoIP accounts, 16 programmable keys, 2 x LAN, PoE, headset and expansion module ports.

SIP-T38G

Phone Features

6 VoIP accounts, Hotline, Emergency call
Call hold, Call waiting, Call forward,
Call return, Call transfer (blind/semi-
attended/attended)
Caller ID display, Redial, Mute, DND
Auto-answer, 3-way conferencing
Speed dial, SMS, Voicemail
Message Waiting Indication (MWI) LED
Tone scheme, Volume control
Direct IP call without SIP proxy
Ring tone selection/import/delete
Phonebook (1000 entries), Black list
Call history: dialed/received/missed/
forwarded, Menu-driven user interface
Localized language and input method
Soft keys programmable
Supports up to 6 expansion
modules(EXP39)
Supports Wireless Headset
Adapter(EHS36)

IP PBX System Integration

Busy lamp field (BLF), BLF list, (BLA)
DND & Forward synchronization
Intercom, Paging, Music on hold
Call park, Call pickup
Call recording, Call completion
Group listening, Group pickup
Anonymous call, Anonymous call
rejection
Network conference
Distinctive ringtone
Dial Plan, Dial-now

Codecs and Voice Features

Wideband codec: G.722
Narrowband codec: G.711 μ /A, G.723.1
G.726, G.729AB
VAD, CNG, AEC, PLC, AJB, AGC
Full-duplex speakerphone with AEC

Network Features

SIP v1 (RFC2543), v2 (RFC3261)
IPv6, DNS SRV (RFC3263)
Redundant server support
NAT Traversal: STUN mode
DTMF: In-Band, RFC2833, SIP Info
Proxy mode and peer-to-peer SIP link
mode, IP Assignment: Static/DHCP/
PPPoE
Bridge/router mode for PC port
TFTP/DHCP/PPPoE client
Telnet/HTTP/HTTPS server
DNS client, NAT/DHCP server
Logout

Management

Auto-provision via FTP/TFTP/HTTP/
HTTPS
Auto-provision with PnP
SNMP V1/2 optional, TR069 optional
Configuration: browser/phone/auto-
provision
Factory configuration customized
Trace package and system log export

Security

Open VPN, 802.1x, VLAN QoS (802.1pq),
LLDP
Transport Layer Security (TLS)
HTTPS (server/client), SRTP (RFC3711)
Digest authentication using MD5/MD5-
sess
Secure configuration file via AES
encryption
Phone lock for personal privacy
protection
Admin/VAR/User 3-level configuration
mode

Physical Features

2xRJ45 10/100/1000Mbps Ethernet ports
TI Aries chipset
4.3" TFT-LCD, 480 x 272 pixel, 16.7M
colours
48 keys including 16 programmable keys
1xRJ9 (4P4C) handset port
1xRJ9 (4P4C) headset port
1XRJ12 (6P6C) EXT port
Power adapter: AC 100~240V input and

DC 5V/2A output

Power over Ethernet (IEEE 802.3af)
Power consumption approx.: 4.6W
Net weight: 1.05KG
Dimension: 273x204x42MM
Operating humidity: 10~95%
Storage temperature: up to 60°C

Package Features

Qty/CTN: 5pcs
N.W/CTN: 8.065 Kg
G.W/CTN: 8.915 Kg
Carton Measurement: 580x295x250mm
Minimum order applies

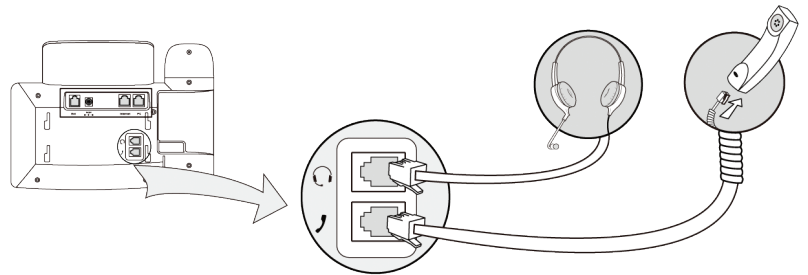
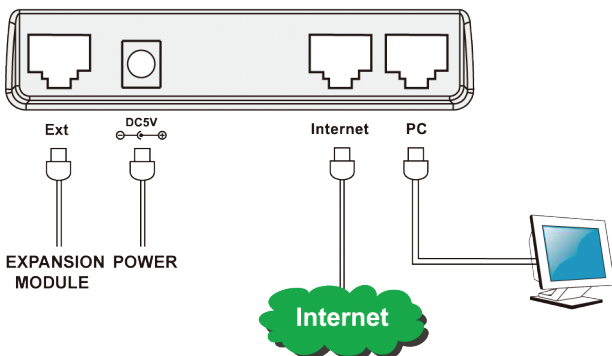
Certifications



WEEE Compliant



ROHS Compliant



Yealink

EASY VoIP