

T20PN

2 User accounts & 2 Line Keys

2 x 16 Line LCD

Headset port

Handsfree

Dual 10/100 ethernet ports



The T20PN features a 2 line LCD display and 9 function keys for simple integration into various SIP based network solutions where basic business feature requirements and demanding budgets are the main influences on buying decisions.

T20PN

Network Features

SIP v1(RFC2543), v2(RFC3261)
 3 User accounts
 NAT Transverse: STUN mode
 IP Assignment: Static/DHCP/PPPoE
 In-Band DTMF, Out-of-Band DTMF, SIP Info
 Proxy mode and Peer-to-peer SIP link mode
 TFTP/DHCP/PPPoE client
 Telnet/HTTP server
 DNS client
 NAT/DHCP server
 Supports VLAN, QoS
 PoE type A and B standard
 VPN

Voice Features

Wideband Codec: G.722, voice spectrum between 50-7000Hz
 Narrowband Codecs: G.711, G.726, G.723.1/iLBC, G.729AB and GSM
 VAD, CNG, AEC, PLC, AJB, AGC
 Full-duplex hands-free speakerphone

Phone Features

Call Hold, Call Waiting,
 Call Transfer, Call Forward
 300 name/number phonebook
 Caller ID, Call List, DND, Redial, Flash
 3-way Conference, Speed Dial
 Personal Ring Tone, Voicemail
 Volume Adjustment, Mute,
 Speakerphone

IP PBX System Integration

Dial Plan, Dial-now, Paging
 Downloadable enterprise phonebook
 Call Park, Call Pickup, Distinctive Ringtone
 Auto-answer, intercom

Config, Upgrade and Usage

Firmware Upgrade: TFTP/Console/
 Auto-provision
 Auto-provision: TR069, HTTPS, HTTP, FTP, TFTP, PnP
 Direct IP call without SIP proxy
 Dial number via SIP server
 Dial URL via SIP server

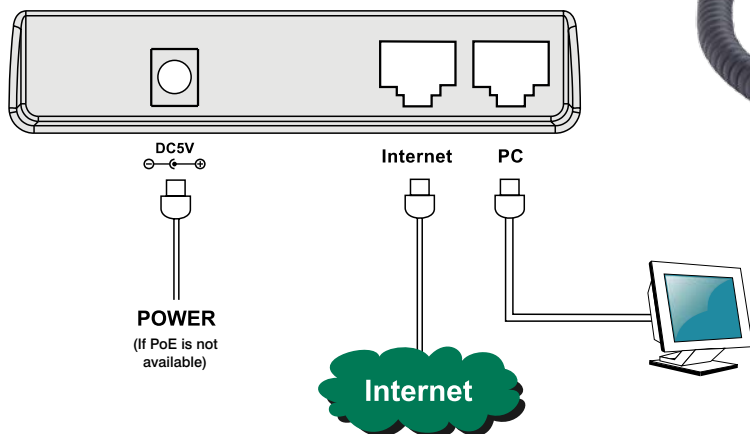
Security

Secure RTP
 Digest authentication using MD5/MD5-sess
 Secure configuration file via AES encryption

Physical Features

TI Titan Chipset
 LCD: 2 Lines, 2x16
 2 programmable keys
 23 hard keys, 2 indication LEDs
 Headset port: RJ9
 Network Interface: 2xRJ45 10/100M ports
 Dimension: 185 X 200 X 90 mm
 Net Weight: 1.22 kg
 Optional power adapter: Input: AC 100~240V
 Output: DC 5V/1A
 Operating humidity: 10~95%
 Storage temperature: up to 60 C

Certifications



Yealink
 EASY VoIP